

UNDERCOUNTER LAVATORY BOWL

Cat. No.
5759



Features:

- ▶ 20 Gauge Metal
- ▶ Round Bottom
- ▶ Oval Shape
- ▶ Includes Overflow and Drain Opening for Standard 1 1/4" Drain Fitting.

Finishes:

- BP Polished Brass
- SP Polished Stainless
- SH Hammered Stainless
- SC Cracked Stainless

Compliance Certification
Meets or exceeds the following specifications: ASME A112.19.3-2001 (and 19.6M) for stainless fixtures.

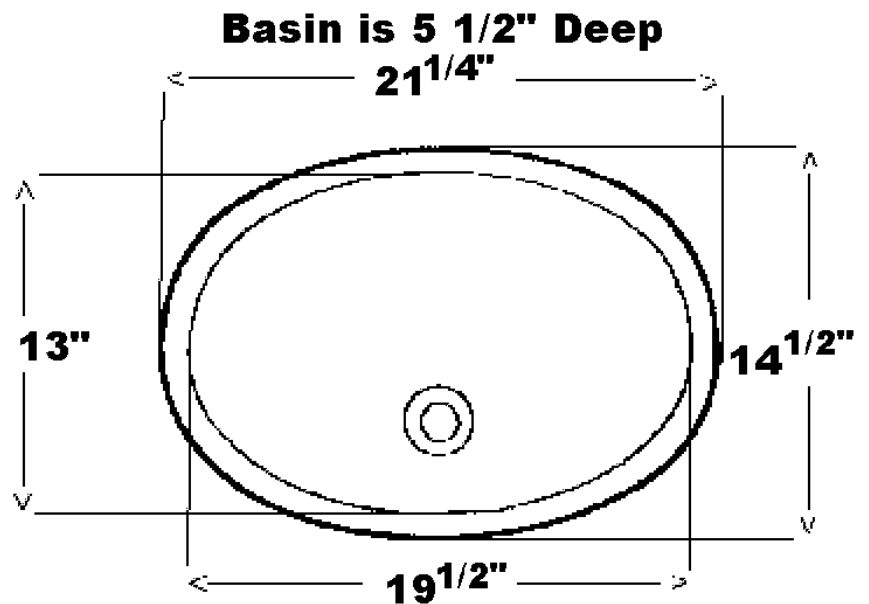
Side to Side: 21 1/4"

Front to Back: 14 1/2"

*Brass bowls are **not** coated and will tarnish. Customer care is required.

Interior Dimensions:

Basin Interior: 19 1/2" x 13"
Basin Depth: 5 1/2"



Dimensions of fixture are nominal and may vary within the range of tolerances established by ANSI Standard A112.19.6M. Dimensions and specifications subject to change without notice.